

**FinnSonic**

Addicted to Cleanliness.

V01 Versa +

**VERSA+**



**NEW**



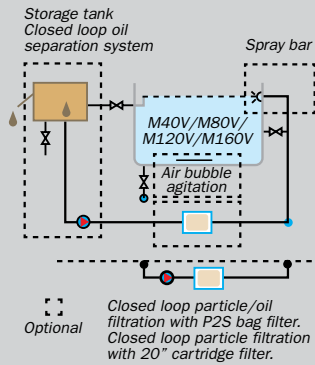
## **Precision Parts Cleaning in a Small Footprint Machine**

***Achieve required cleanliness with a FinnSonic single or multi-stage modular cleaning solution. Versa+ is available in both manual and automatic configurations.***



- Manage the cleanliness process with the compact Versa+ solution. The Versa+ is engineered to meet the requirements of a demanding production environment, and maintenance cleaning.
- Solutions are configured from ultrasonic, jet turbulence, agitation options, drying and fluid handling.
- Ergonomic working environment: optimised working height and direction.
- Value added solution for multi-stage processes.
- Safety is our priority in engineering parts manipulation. The FinnSonic PT Easylift is engineered to lift loads up to 40 kg by manual horizontal movement and air-assisted lifting movement.
- Automatic basket transporters TD10/TD20 are available for 10 and 20 kg loads.

## WASH ►



## FINNSONIC VERSA+ ULTRASONIC CLEANING SOLUTIONS

FinnSonic's success in providing precision cleanliness is based on powerful ultrasonics. FinnSonic offers a variety of models which include transducers located on the bottom or side of the tank. Full width overflow weir with a cut-off valve for surface skimming is a standard feature. For components not suitable for ultrasonic cleaning, FinnSonic offers a jet turbulence technique with spray under immersion.



1. Full width overflow weir is a standard feature 2. Spray bar for surface skimming  
3. Air bubble agitation for effective rinsing

## RINSE ►

Detergent residues are removed from the component's surface by rinsing. More effective rinsing can be provided by adding (optional) air bubble agitation. Spotless rinsing results are achieved with demineralised water. For non-heated dewatering fluids, optional FinnSonic dewatering units are recommended.

## DRY ►

High quality drying systems are available for different applications.

## FLUID HANDLING ►

FinnSonic fluid handling options assist in achieving the required cleanliness level and reduction in operating costs. Closed loop filtration and oil removal options increase the life of wash and rinse liquids whilst providing a more consistent cleanliness result. Free oil can be removed from the wash liquid by surface skimming and by using a storage tank with an oil separation system.

## ENVIRONMENT ►

FinnSonic maintains a positive awareness of the environment by providing attention to environmental impacts of materials through constant development of environmentally friendly processes.

## TECHNICAL INFORMATION ►

### Ultrasonic cleanliness solutions

Technical information	M40V	M80V	M120V	M160V	M160WW
Volume l	40	80	120	160	160
External dimensions mm	400x800x900	470x930x900	590x920x900	470x1340x900	470x1340x900
Tank dimensions mm	265x460x300	330x585x400	330x585x460	330x1180x400	330x1180x400
Wash basket dimensions mm	225x420x225	290x540x340	400x540x390	280x1110x300	280x1110x300
Ultrasonic power W nom./peak	600/1200	1200/2400	1200/2400	1200/2400	2400/4800
Ultrasonic frequency kHz	30*)	30*)	30*)	30*)	30*)
Heating power W	1500	2000	4000	6000	6000
Voltage V/Hz	230/50	230/50	(230)/400/50	(230)/400/50	(230)/400/50
Filling valve	R 1/4	R 1/4	R 1/4	R 1/4	R 1/4
Drain valve	R 3/4	R 3/4	R 3/4	R 3/4	R 3/4
Overflow weir valve	R 3/4	R 3/4	R 3/4	R 3/4	R 3/4
Connecting load W	2100	3200	5200	7200	8400

\*) Available alternatively at 40kHz



**FinnSonic**

Addicted to Cleanliness.

FinnSonic Oy, Parikankatu 8, 15170 Lahti, Finland  
tel. +358 3 883 030, fax +358 3 883 0330  
sales@finnsonic.com, www.finnsonic.com